

Specification sheet

XD 230

FA 4X2 Rigid, 19t



ENGINES

XD NewGen 230 PX-7 (167 kW / 227 hp)
XD NewGen 260 PX-7 (189 kW / 257 hp)
XD NewGen 290 PX-7 (212 kW / 287 hp)
XD NewGen 310 PX-7 (227 kW / 308 hp)

GVM¹⁾

19000 kg
Max. front 7000 kg
Max. rear 13000 kg

GCM²⁾

19000 kg

CAB EXTERIOR

Luxurious Day Cab with unrivalled aerodynamics for fuel efficient driving and low CO2 emissions. The huge and deep frontscreen, curved at the sides combined with large side windows offer an unsurpassed direct view for the driver, to enhance road safety. Cab length: 2030 mm; cab width: 2500 mm. Number of cab entrance steps: 2.; Cab suspension mechanical; LED head lights; DAF Corner View.

Optional

07018 Sleeper Cab	01925 Two LED work lamps for cab rear wall
06244 Sleeper High Cab	01891 Hazard beacons on cab front, prepared
01226 Cab suspension air	06629 Two hazard beacon lights
03358 External sun visor	03232 Front windscreen with solar control foil
03922 Fog lights front	03317 Rear window: double glass
00936 Auxiliary LED lights on cab roof, prepared	07343 Kerb view window co-driver door
01836 LED Skylights	01362 DAF Digital Vision System
00949 LED Skylights; aux. LED lights on cab rf, prepared	

AERODYNAMICS

Optional

00008 Adj. roof air deflector short Sleeper High Cab	00082 Adj. roof air deflector for Day Cab
00124 Adj. rf air defl.long mid >4m(!) Sleeper High Cab	00097 Adj. roof air deflector for Sleeper Cab
01538 Adj. roof air defl. long high >4m(!) Sleeper High	00020 Adj. roof air deflector long low Sleeper High Cab
02662 Adj. roof air defl. long mid XD Sleeper High Cab	

COLOURS

Cab colour E1980 Crystal White; Chassis colour grey.; Colour of bumper: Crystal White.

CAB INTERIOR

Cab interior trim colour: Luxury; Dashboard finish: Vision; Cab interior decoration: Hexagon; Driver seat: Comfort Air; Co-driver seat: cinema with fabric cover; No dashboard table; Storage compartment in centre; Automatic Temperature Control and airco; No auxiliary cab heater.

Optional

02354 Steering wheel with silver accents	02117 Third seat
02355 Steering wheel, leather	02837 Dashboard table
02353 Cab interior decoration: Argenta	03948 Single drawer
02350 Cab interior decoration: Natura	03954 Refrigerator
07733 Driver seat: Luxury Air	02838 Foam mattress for lower bunk
07736 Driver seat: Super Air	02854 Xtra Comfort mattress for lower bunk
07737 Driver seat: Xtra Leather Air	01775 Xtra Comfort mattress with topper for lower bunk
01740 Arm rest at both sides of the driver seat	06970 Automatic Cab Climate Control

COMMUNICATION AND DRIVING MANAGEMENT

PACCAR Connect; Tachograph digital, Stoneridge 1C version G2V2; Speed limiter setting 85 km/h; DAF Infotainment Luxury with Luxury speakers; Adaptive Cruise Control with FCW and AEBS-3; Driver Performance Assistant.

Optional

09681 Preparation for Maut	00272 DAF infot. Exclusive prepared; Exclusive speakers
00146 DAF Infot. Exclusive speakers	01923 DAF Infotainment Luxury Plus; Exclusive speakers
01916 DAF Infotainment Luxury Plus with Luxury speakers	03470 DAF Infotainment System: Exclusive, prepared
01158 DAF Infotainment Luxury with Exclusive speakers	01915 DAF Infotainment System: Luxury Plus

SAFETY AND SECURITY

Speed limit recognition; DAF drowsiness detection; Lane Departure Warning System; Vehicle Stability Control (VSC); Basic engine immobiliser system; No EC-ADR packages; Drive-off Assist; DAF Side & Turn Assist.

Optional

08631 Air bag (driver) and 2 seat belt tensioners	01929 No Drive-off Assist
02567 No Traffic Sign Assist	01952 No DAF Side/Turn Assist
02569 No Driver State Monitoring	

SUSPENSION AND AXLES

Front: 8.00 t, parabolic, 163N; Rear axle load 13.00 t; Rear: air suspension, SR1344; No lifting device.

Optional

04647 Front springs air

WHEELS AND TYRES

Driven rear axle(s): 315/70R22.5; Tyre pressure monitoring; F1,315/70R22.5GO FMXSE 156/150 L Steering BBA 3P; R1,315/70R22.5GO FMXDE 154/150 L Traction BBA 3P.

Optional

16152 Tyre makes and types

DRIVELINE

Engine PX-7, 6 cylinder diesel engine, 6.7 litres. Output 167 kW (227 hp) at 1900 rpm. Max. torque 890 Nm at 1000-1700 rpm.; Exhaust emission Euro 6; 8-speed PowerLine 8AP1000 overdrive, 4.89-0.64; Gearbox ratio 4.89-0.64; Rear axle ratio 5.57.

BRAKE SYSTEM

Exhaust brake; Ventilated disc brakes front and rear. Dual circuit air system with electronic control (EBS).Engine driven, water cooled aire compressor with automatic air heated dryer..

Optional

02861 PX Engine Brake	04901 Spring brake cylinders on the first front axle
01497 Park brake control pneumatic with spoken warning	

CHASSIS

Wheelbase 4.00 m / rear overhang 1.70 m; Side member height 260 mm; Standard component location; 340 l alu fuel tank LH, height 620 mm; Tank for AdBlue® 30 l, right-hand side chassis; Spray suppression.

Optional

02601 Side member height 310 mm	07071 Spare wheel carrier right-hand side
16157 Fuel tanks, material and sizes	03323 Rear light with LEDs

DRAWBAR AND TRAILER EQUIPMENT

Closing member D-value = 0kN.

Optional

08026 Trailer coupling Rockinger **04659** Trailer cable EBS
D=13.0

BODIES AND PREPARATIONS FOR BODYING

Application connector chassis.

Optional

09421 Additional spare wiring **08121** Tail lift application

POWER TAKE-OFF (PTO)

Optional

16148 PTO types and positions

24V POWER SUPPLY

Alternator 80 A, batteries 2x 140 Ah..

Optional

01897 Alternator 100 A **07671** Batteries 2x210Ah AGM
08797 Batteries 2x175Ah C-type

GVM AND GCM

Chassis weight related technical GVM max 19000 kg; Driveline related max GCM 19000 kg.

APPLICATION CONDITIONS

Air intake front.

Optional

02260 Extra cab insulation **03648** Cyclonic air intake high

SERVICE AND MAINTENANCE

Warranty Plus - Driveline, takes care of 1 year complete vehicle as supplied by the OEM (excl. real wear parts), 2nd and 3rd year driveline, no km limitation and 1st year breakdown.; ITS service.

VEHICLE DELIVERY

Minimum toolkit.

Optional

07569 Lifting jack

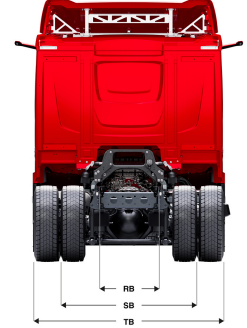
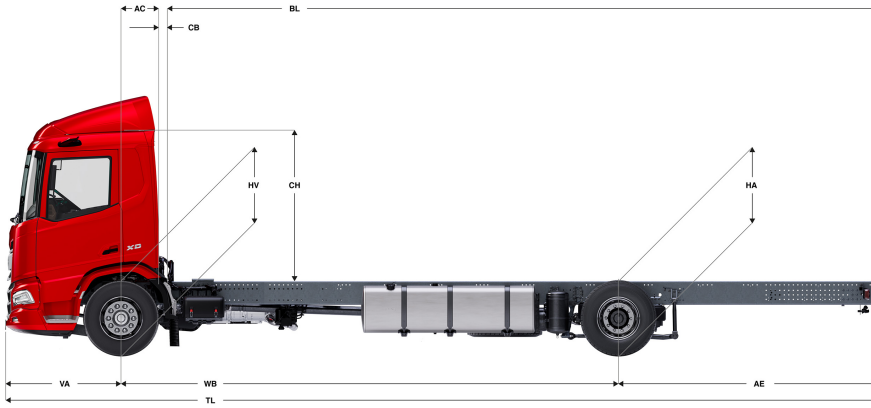
OPTION PACKAGES

Optional

17595 Executive Pack XD/XF

XD 230

FA 4X2 Rigid, 19t



	Wheelbase - AE		Unladen weight ¹⁾			Gross Carrying Capacity			Variable dimensions									
	WB	AE ⁵⁾	Front	Rear	Total	Front	Rear	Total	AC	CB ⁶⁾	CH ⁷⁾	BL ⁸⁾	BL	TL	HA ⁹⁾	HA ¹⁰⁾	TK ¹¹⁾	TW ¹²⁾
DAY CAB	4,00	1,70	3765	1543	5308	3235	11457	13692	0,50	0,07	2,06	4,40	5,55	7,23	0,97	0,94	14,02	15,41
	4,20	1,80	3766	1557	5323	3234	11443	13677	0,50	0,07	2,06	4,66	5,88	7,53	0,97	0,94	14,53	15,94
	4,50	1,95	3768	1595	5363	3232	11405	13637	0,50	0,07	2,06	5,07	6,38	7,98	0,97	0,94	15,31	16,73
	4,70	2,05	3769	1608	5377	3231	11392	13623	0,50	0,07	2,06	5,34	6,72	8,28	0,97	0,94	15,83	17,26
	4,90	2,35	3765	1636	5401	3235	11364	13599	0,50	0,07	2,06	5,62	7,05	8,78	0,97	0,94	16,35	17,79
	5,10	2,75	3821	1776	5596	3179	11224	13404	0,50	0,07	2,06	5,89	7,39	9,38	0,97	0,94	16,87	18,32
	5,40	2,65	3844	1783	5627	3156	11217	13373	0,50	0,07	2,06	6,30	7,91	9,58	0,97	0,94	17,66	19,11
	5,70	2,65	3857	1795	5652	3143	11205	13348	0,50	0,07	2,06	6,73	8,43	9,88	0,97	0,94	18,44	19,90
	6,10	2,80	3895	1858	5753	3105	11142	13247	0,50	0,07	2,06	7,29	9,11	10,43	0,97	0,94	19,49	20,96
6,60	3,45	3830	1837	5667	3170	11163	13333	0,50	0,07	2,01	7,93	9,91	11,58	1,02	0,99	20,80	22,28	
6,90	3,50	3839	1848	5686	3161	11152	13314	0,50	0,07	2,01	8,36	10,41	11,93	1,02	0,99	21,59	23,08	
SLEEPER CAB	4,00	1,70	3863	1550	5413	3137	11450	13587	0,83	0,07	2,06	3,77	4,94	7,23	0,97	0,94	14,02	15,41
	4,20	1,80	3864	1563	5427	3136	11437	13573	0,83	0,07	2,06	4,04	5,27	7,53	0,97	0,94	14,53	15,94
	4,50	1,95	3867	1601	5468	3133	11399	13532	0,83	0,07	2,06	4,46	5,78	7,98	0,97	0,94	15,31	16,73
	4,70	2,05	3868	1614	5482	3132	11386	13518	0,83	0,07	2,06	4,73	6,11	8,28	0,97	0,94	15,83	17,26
	4,90	2,35	3864	1642	5505	3136	11358	13495	0,83	0,07	2,06	5,01	6,45	8,78	0,97	0,94	16,35	17,79
	5,10	2,75	3920	1781	5701	3080	11219	13299	0,83	0,07	2,06	5,27	6,80	9,38	0,97	0,94	16,87	18,32
	5,40	2,65	3944	1788	5732	3056	11212	13268	0,83	0,07	2,06	5,71	7,31	9,58	0,97	0,94	17,66	19,11
	5,70	2,65	3957	1799	5756	3043	11201	13244	0,83	0,07	2,06	6,13	7,83	9,88	0,97	0,94	18,44	19,90
	6,10	2,80	3995	1862	5857	3005	11138	13143	0,83	0,07	2,06	6,69	8,54	10,43	0,97	0,94	19,49	20,96
6,60	3,45	3931	1841	5772	3069	11159	13228	0,83	0,07	2,01	7,35	9,32	11,58	1,02	0,99	20,80	22,28	
6,90	3,50	3939	1852	5791	3061	11148	13209	0,83	0,07	2,01	7,76	9,83	11,93	1,02	0,99	21,59	23,08	
SLEEPER HIGH CAB	4,00	1,70	3892	1551	5443	3108	11449	13557	0,83	0,07	2,54	3,78	4,95	7,23	0,97	0,94	14,02	15,41
	4,20	1,80	3893	1564	5457	3107	11436	13543	0,83	0,07	2,54	4,05	5,29	7,53	0,97	0,94	14,53	15,94
	4,50	1,95	3896	1602	5498	3104	11398	13502	0,83	0,07	2,54	4,47	5,79	7,98	0,97	0,94	15,31	16,73
	4,70	2,05	3898	1614	5512	3102	11386	13488	0,83	0,07	2,54	4,74	6,13	8,28	0,97	0,94	15,83	17,26
	4,90	2,35	3893	1642	5535	3107	11358	13465	0,83	0,07	2,54	5,02	6,46	8,78	0,97	0,94	16,35	17,79
	5,10	2,75	3949	1781	5731	3051	11219	13269	0,83	0,07	2,54	5,29	6,82	9,38	0,97	0,94	16,87	18,32
	5,40	2,65	3973	1788	5762	3027	11212	13238	0,83	0,07	2,54	5,73	7,34	9,58	0,97	0,94	17,66	19,11
	5,70	2,65	3987	1800	5786	3013	11200	13214	0,83	0,07	2,54	6,14	7,86	9,88	0,97	0,94	18,44	19,90
	6,10	2,80	4025	1863	5888	2975	11137	13112	0,83	0,07	2,54	6,71	8,55	10,43	0,97	0,94	19,49	20,96
6,60	3,45	3960	1841	5802	3040	11159	13198	0,83	0,07	2,49	7,36	9,34	11,58	1,02	0,99	20,80	22,28	
6,90	3,50	3969	1852	5821	3031	11148	13179	0,83	0,07	2,49	7,80	9,87	11,93	1,02	0,99	21,59	23,08	

OTHER DIMENSIONS VA: 1,53 HV¹³⁾: 1,00 HV¹⁴⁾: 0,93 RB: 0,79 SB: 1,82 TB¹⁵⁾: 2,48

- GVM in conformity with registration documents.
- GCM in conformity with registration documents.
- Axle load with standard tyre size.
- Chassis and cab weight calculated with: Standard specification items only with 0 litres of fuel, 0 litres of AdBlue® and driver of 75 kg, tolerance ± 3%. Changing of the specification can have major impact on vehicle weight.
- Other AE dimensions may be available for shown WB. Modify rear overhang to the calculated body length.
- CB is based on standard air intake and/or exhaust.
- Cab height is measured from frame member to closed cabin roof hatch.
- Calculate customer specific body length with TOPEC. Body lengths shown based on evenly distributed load at max axle load.
- Unladen height at centre of driven axle(s).
- Laden height at centre of driven axle(s).
- TK = turning circle between kerbs.
- TW = turning circle between walls.
- Unladen height at centre of front axle(s).
- Laden height at centre of front axle(s).
- TB is overall width at rear. (At centre of front axle 255).

Depending on the vehicle configuration a specific option may not be possible. The availability and specification of this vehicle may differ per country. For further information please contact the DAF organisation. Pictures and technical illustrations are not binding in detail and can differ from the standard specification. Subject to modification without prior notice.