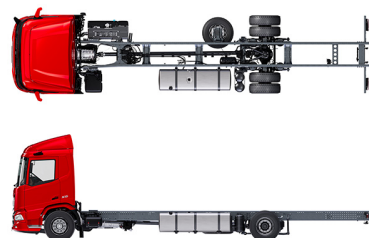


Specification sheet

XD 230

FA 4X2 Rigid, 19t



ENGINES

XD NewGen 230 PX-7 (167 kW / 227 hp)
XD NewGen 260 PX-7 (189 kW / 257 hp)
XD NewGen 290 PX-7 (212 kW / 287 hp)
XD NewGen 310 PX-7 (227 kW / 308 hp)

GVM¹⁾

18000 kg
Max. front 8000 kg
Max. rear 11500 kg

GCM²⁾

19000 kg

055F6806AAAA - 202513C - 06-12-2024

Lituania, UAB Centrako, www.centrako.lt

CAB EXTERIOR

Luxurious Day Cab with unrivalled aerodynamics for fuel efficient driving and low CO2 emissions. The huge and deep frontscreen, curved at the sides combined with large side windows offer an unsurpassed direct view for the driver, to enhance road safety. Cab length: 2030 mm; cab width: 2500 mm. Number of cab entrance steps: 2.; Cab suspension mechanical; LED head lights; DAF Corner View.

Optional

07018 Sleeper Cab	01925 Two LED work lamps for cab rear wall
06244 Sleeper High Cab	01891 Hazard beacons on cab front, prepared
01226 Cab suspension air	06629 Two hazard beacon lights
03358 External sun visor	03232 Front windscreen with solar control foil
03922 Fog lights front	03317 Rear window: double glass
00936 Auxiliary LED lights on cab roof, prepared	07343 Kerb view window co-driver door
01836 LED Skylights	01362 DAF Digital Vision System
00949 LED Skylights; aux. LED lights on cab rf, prepared	

AERODYNAMICS

Optional

00008 Adj. roof air deflector short Sleeper High Cab	00082 Adj. roof air deflector for Day Cab
00124 Adj. rf air defl.long mid >4m(!) Sleeper High Cab	00097 Adj. roof air deflector for Sleeper Cab
01538 Adj. roof air defl. long high >4m(!) Sleeper High	00020 Adj. roof air deflector long low Sleeper High Cab
02662 Adj. roof air defl. long mid XD Sleeper High Cab	

COLOURS

Cab colour E1980 Crystal White; Chassis colour grey.; Colour of bumper: Crystal White.

CAB INTERIOR

Cab interior trim colour: Luxury; Dashboard finish: Vision; Cab interior decoration: Hexagon; Driver seat: Comfort Air; Co-driver seat: cinema with fabric cover; No dashboard table; Storage compartment in centre; Automatic Temperature Control and airco; No auxiliary cab heater.

Optional

02354 Steering wheel with silver accents	02117 Third seat
02355 Steering wheel, leather	02837 Dashboard table
02353 Cab interior decoration: Argenta	03948 Single drawer
02350 Cab interior decoration: Natura	03954 Refrigerator
07733 Driver seat: Luxury Air	02838 Foam mattress for lower bunk
07736 Driver seat: Super Air	02854 Xtra Comfort mattress for lower bunk
07737 Driver seat: Xtra Leather Air	01775 Xtra Comfort mattress with topper for lower bunk
01740 Arm rest at both sides of the driver seat	06970 Automatic Cab Climate Control

COMMUNICATION AND DRIVING MANAGEMENT

PACCAR Connect; Tachograph digital, Stoneridge 1C version G2V2; Speed limiter setting 85 km/h; DAF Infotainment Luxury with Luxury speakers; Adaptive Cruise Control with FCW and AEBS-3; Driver Performance Assistant.

Optional

09681 Preparation for Maut	00272 DAF infot. Exclusive prepared; Exclusive speakers
00146 DAF Infot. Exclusive speakers	01923 DAF Infotainment Luxury Plus; Exclusive speakers
01916 DAF Infotainment Luxury Plus with Luxury speakers	03470 DAF Infotainment System: Exclusive, prepared
01158 DAF Infotainment Luxury with Exclusive speakers	01915 DAF Infotainment System: Luxury Plus

SAFETY AND SECURITY

Speed limit recognition; DAF drowsiness detection; Lane Departure Warning System; Vehicle Stability Control (VSC); Basic engine immobiliser system; No EC-ADR packages; Drive-off Assist; DAF Side & Turn Assist.

Optional

08631 Air bag (driver) and 2 seat belt tensioners	01929 No Drive-off Assist
02567 No Traffic Sign Assist	01952 No DAF Side/Turn Assist
02569 No Driver State Monitoring	

SUSPENSION AND AXLES

Front: 8.00 t, parabolic, 163N; Rear axle load 13.00 t; Rear: air suspension, SR1344; No lifting device.

Optional

04647 Front springs air

WHEELS AND TYRES

Driven rear axle(s): 315/70R22.5; Tyre pressure monitoring; F1,315/70R22.5GO FMXSE 156/150 L Steering BBA 3P; R1,315/70R22.5GO FMXDE 154/150 L Traction BBA 3P.

Optional

16152 Tyre makes and types

DRIVELINE

Engine PX-7, 6 cylinder diesel engine, 6.7 litres. Output 167 kW (227 hp) at 1900 rpm. Max. torque 890 Nm at 1000-1700 rpm.; Exhaust emission Euro 6; 8-speed PowerLine 8AP1000 overdrive, 4.89-0.64; Gearbox ratio 4.89-0.64; Rear axle ratio 5.57.

BRAKE SYSTEM

Exhaust brake; Ventilated disc brakes front and rear. Dual circuit air system with electronic control (EBS).Engine driven, water cooled aire compressor with automatic air heated dryer..

Optional

02861 PX Engine Brake	04901 Spring brake cylinders on the first front axle
01497 Park brake control pneumatic with spoken warning	

CHASSIS

Wheelbase 4.00 m / rear overhang 1.70 m; Side member height 260 mm; Standard component location; 340 l alu fuel tank LH, height 620 mm; Tank for AdBlue® 30 l, right-hand side chassis; Spray suppression.

Optional

02601 Side member height 310 mm	07071 Spare wheel carrier right-hand side
16157 Fuel tanks, material and sizes	03323 Rear light with LEDs

DRAWBAR AND TRAILER EQUIPMENT

Closing member D-value = 0kN.

Optional

08026 Trailer coupling Rockinger **04659** Trailer cable EBS
D=13.0

BODIES AND PREPARATIONS FOR BODYING

Application connector chassis.

Optional

09421 Additional spare wiring **08121** Tail lift application

POWER TAKE-OFF (PTO)

Optional

16148 PTO types and positions

24V POWER SUPPLY

Alternator 80 A, batteries 2x 140 Ah..

Optional

01897 Alternator 100 A **07671** Batteries 2x210Ah AGM
08797 Batteries 2x175Ah C-type

GVM AND GCM

Chassis weight related technical GVM max 19000 kg; Driveline related max GCM 19000 kg.

APPLICATION CONDITIONS

Air intake front.

Optional

02260 Extra cab insulation **03648** Cyclonic air intake high

SERVICE AND MAINTENANCE

Warranty Plus - Driveline, takes care of 1 year complete vehicle as supplied by the OEM (excl. real wear parts), 2nd and 3rd year driveline, no km limitation and 1st year breakdown.; ITS service.

VEHICLE DELIVERY

Minimum toolkit.

Optional

07569 Lifting jack

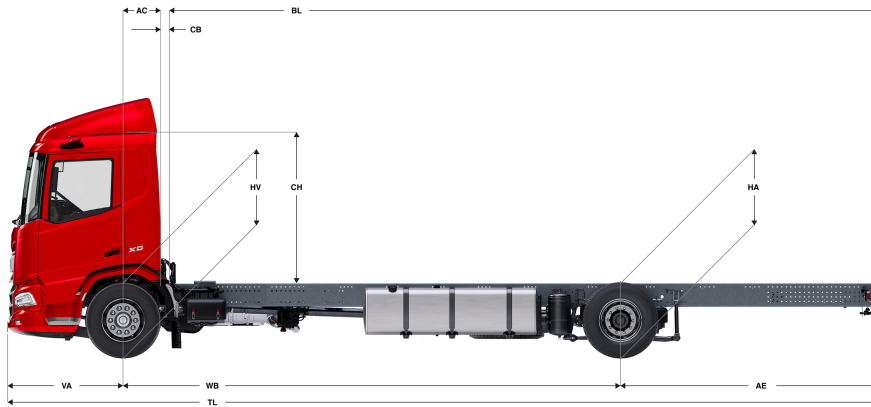
OPTION PACKAGES

Optional

17595 Executive Pack XD/XF

XD 230

FA 4X2 Rigid, 19t



	Wheelbase - AE		Unladen weight ¹⁾			Gross Carrying Capacity			Variable dimensions									
	WB	AE ⁵⁾	Front	Rear	Total	Front	Rear	Total	AC	CB ⁶⁾	CH ⁷⁾	BL ⁸⁾	BL	TL	HA ⁹⁾	HA ¹⁰⁾	TK ¹¹⁾	TW ¹²⁾
DAY CAB	4,00	1,70	3918	1713	5631	4082	9787	12369	0,50	0,07	2,06	4,43	5,61	7,23	0,97	0,94	14,02	15,41
	4,20	1,80	3914	1732	5646	4086	9768	12354	0,50	0,07	2,06	4,70	5,95	7,53	0,97	0,94	14,53	15,94
	4,50	1,95	3909	1778	5686	4091	9722	12314	0,50	0,07	2,06	5,10	6,44	7,98	0,97	0,94	15,31	16,73
	4,70	2,05	3906	1795	5701	4094	9705	12299	0,50	0,07	2,06	5,37	6,77	8,28	0,97	0,94	15,83	17,26
	4,90	2,35	3897	1827	5724	4103	9673	12276	0,50	0,07	2,06	5,64	7,10	8,78	0,97	0,94	16,35	17,79
	5,10	2,75	3949	1971	5919	4051	9529	12081	0,50	0,07	2,06	5,90	7,45	9,38	0,97	0,94	16,87	18,32
	5,40	2,65	3968	1983	5950	4032	9517	12050	0,50	0,07	2,06	6,33	7,97	9,58	0,97	0,94	17,66	19,11
	5,70	2,65	3976	1999	5975	4024	9501	12025	0,50	0,07	2,06	6,74	8,47	9,88	0,97	0,94	18,44	19,90
	6,10	2,80	4009	2068	6076	3991	9432	11924	0,50	0,07	2,06	7,30	9,17	10,43	0,97	0,94	19,49	20,96
6,60	3,45	3938	2052	5990	4062	9448	12010	0,50	0,07	2,01	7,95	9,96	11,58	1,02	0,99	20,80	22,28	
6,90	3,50	3943	2066	6009	4057	9434	11991	0,50	0,07	2,01	8,36	10,47	11,93	1,02	0,99	21,59	23,08	
SLEEPER CAB	4,00	1,70	4016	1720	5736	3984	9780	12264	0,83	0,07	2,06	3,81	5,00	7,23	0,97	0,94	14,02	15,41
	4,20	1,80	4012	1739	5751	3988	9761	12249	0,83	0,07	2,06	4,07	5,33	7,53	0,97	0,94	14,53	15,94
	4,50	1,95	4007	1784	5791	3993	9716	12209	0,83	0,07	2,06	4,49	5,83	7,98	0,97	0,94	15,31	16,73
	4,70	2,05	4004	1801	5805	3996	9699	12195	0,83	0,07	2,06	4,75	6,17	8,28	0,97	0,94	15,83	17,26
	4,90	2,35	3996	1833	5829	4004	9667	12171	0,83	0,07	2,06	5,02	6,50	8,78	0,97	0,94	16,35	17,79
	5,10	2,75	4048	1976	6024	3952	9524	11976	0,83	0,07	2,06	5,30	6,86	9,38	0,97	0,94	16,87	18,32
	5,40	2,65	4067	1988	6055	3933	9512	11945	0,83	0,07	2,06	5,73	7,39	9,58	0,97	0,94	17,66	19,11
	5,70	2,65	4076	2004	6079	3924	9496	11921	0,83	0,07	2,06	6,14	7,89	9,88	0,97	0,94	18,44	19,90
	6,10	2,80	4109	2072	6181	3891	9428	11819	0,83	0,07	2,06	6,71	8,58	10,43	0,97	0,94	19,49	20,96
6,60	3,45	4039	2056	6095	3961	9444	11905	0,83	0,07	2,01	7,36	9,38	11,58	1,02	0,99	20,80	22,28	
6,90	3,50	4044	2070	6114	3956	9430	11886	0,83	0,07	2,01	7,78	9,89	11,93	1,02	0,99	21,59	23,08	
SLEEPER HIGH CAB	4,00	1,70	4046	1721	5766	3954	9779	12234	0,83	0,07	2,54	3,82	5,02	7,23	0,97	0,94	14,02	15,41
	4,20	1,80	4041	1739	5781	3959	9761	12219	0,83	0,07	2,54	4,09	5,35	7,53	0,97	0,94	14,53	15,94
	4,50	1,95	4037	1784	5821	3963	9716	12179	0,83	0,07	2,54	4,50	5,86	7,98	0,97	0,94	15,31	16,73
	4,70	2,05	4034	1801	5835	3966	9699	12165	0,83	0,07	2,54	4,78	6,20	8,28	0,97	0,94	15,83	17,26
	4,90	2,35	4025	1833	5859	3975	9667	12141	0,83	0,07	2,54	5,05	6,52	8,78	0,97	0,94	16,35	17,79
	5,10	2,75	4078	1976	6054	3922	9524	11946	0,83	0,07	2,54	5,32	6,87	9,38	0,97	0,94	16,87	18,31
	5,40	2,65	4097	1988	6085	3903	9512	11915	0,83	0,07	2,54	5,74	7,40	9,58	0,97	0,94	17,66	19,11
	5,70	2,65	4105	2004	6110	3895	9496	11890	0,83	0,07	2,54	6,16	7,92	9,88	0,97	0,94	18,44	19,90
	6,10	2,80	4138	2072	6211	3862	9428	11789	0,83	0,07	2,54	6,73	8,62	10,43	0,97	0,94	19,49	20,96
6,60	3,45	4068	2057	6125	3932	9443	11875	0,83	0,07	2,49	7,38	9,42	11,58	1,02	0,99	20,80	22,28	
6,90	3,50	4074	2070	6144	3926	9430	11856	0,83	0,07	2,49	7,80	9,93	11,93	1,02	0,99	21,59	23,08	

OTHER DIMENSIONS	VA: 1,53	HV ¹³⁾ : 0,99	HV ¹⁴⁾ : 0,92	RB: 0,79	SB: 1,82	TB ¹⁵⁾ : 2,48
------------------	----------	--------------------------	--------------------------	----------	----------	--------------------------

- GVM in conformity with registration documents.
- GCM in conformity with registration documents.
- Axle load with standard tyre size.
- Chassis and cab weight calculated with: Standard specification items only with 340 litres of fuel, 30 litres of AdBlue® and driver of 80 kg, tolerance ± 3%. Changing of the specification can have major impact on vehicle weight.
- Other AE dimensions may be available for shown WB. Modify rear overhang to the calculated body length.
- CB is based on standard air intake and/or exhaust.
- Cab height is measured from frame member to closed cabin roof hatch.
- Calculate customer specific body length with TOPEC. Body lengths shown based on evenly distributed load at max axle load.
- Unladen height at centre of driven axle(s).
- Laden height at centre of driven axle(s).
- TK = turning circle between kerbs.
- TW = turning circle between walls.
- Unladen height at centre of front axle(s).
- Laden height at centre of front axle(s).
- TB is overall width at rear. (At centre of front axle 255).

Depending on the vehicle configuration a specific option may not be possible. The availability and specification of this vehicle may differ per country. For further information please contact the DAF organisation. Pictures and technical illustrations are not binding in detail and can differ from the standard specification. Subject to modification without prior notice.